

4

3

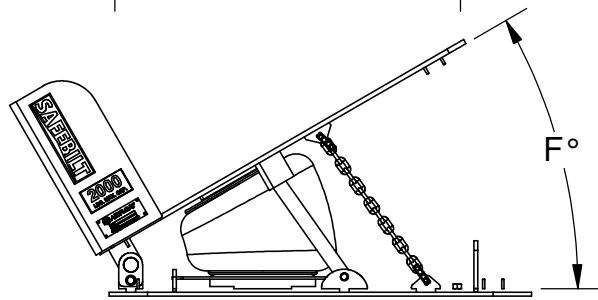
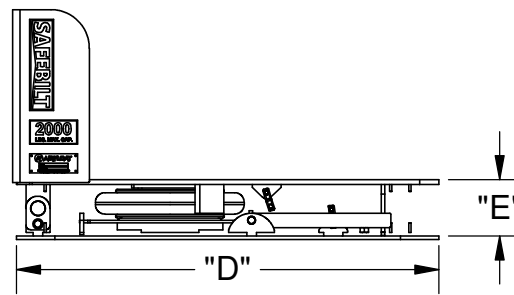
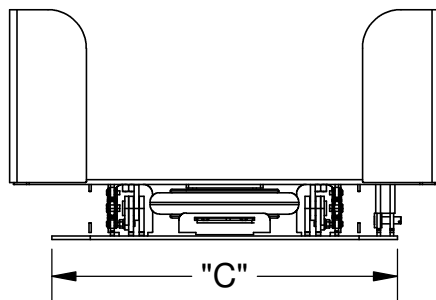
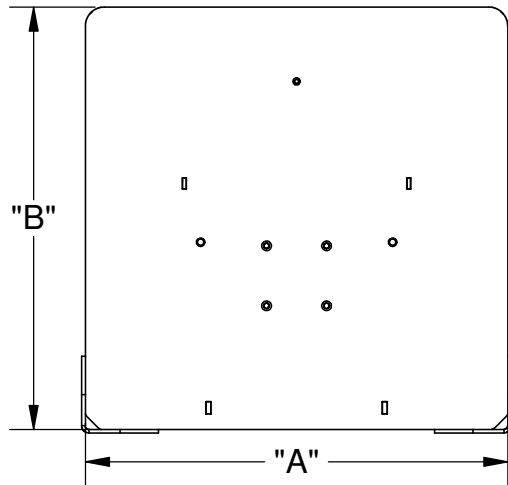
2

1

REVISIONS

ZONE	REV.	DESCRIPTION	DATE	REV. BY
------	------	-------------	------	---------

MODEL NUMBER	TILT CAPACITY	DUNNAGE SIZE	BASE SIZE "C" x "D"	TOP SIZE "A" x "B"	DOWN HEIGHT "E"	TILT ANGLE "F"
ST020-4444	2000 lbs (907 kg)	42" x 42" (1067 x 1067 mm)	36" x 44" (914 x 1118 mm)	44" x 44" (1118 x 1118 mm)	5-7/8" (150 mm)	30°
ST020-4450	2000 lbs (907 kg)	42" x 48" (1067 x 1220 mm)	36" x 44" (914 x 1118 mm)	44" x 50" (1118 x 1270 mm)	5-7/8" (150 mm)	30°
ST020-4456	2000 lbs (907 kg)	42" x 54" (1067 x 1372 mm)	36" x 44" (914 x 1118 mm)	44" x 56" (1118 x 1422 mm)	5-7/8" (150 mm)	30°
ST020-5044	2000 lbs (907 kg)	48" x 42" (1220 x 1067 mm)	36" x 44" (914 x 1118 mm)	50" x 44" (1270 x 1118 mm)	5-7/8" (150 mm)	30°
ST020-5050	2000 lbs (907 kg)	48" x 48" (1220 x 1220 mm)	36" x 44" (914 x 1118 mm)	50" x 50" (1270 x 1270 mm)	5-7/8" (150 mm)	30°
ST020-5056	2000 lbs (907 kg)	48" x 54" (1220 x 1372 mm)	36" x 44" (914 x 1118 mm)	50" x 56" (1270 x 1422 mm)	5-7/8" (150 mm)	30°
ST020-5644	2000 lbs (907 kg)	54" x 42" (1372 x 1067 mm)	36" x 44" (914 x 1118 mm)	56" x 44" (1422 x 1118 mm)	5-7/8" (150 mm)	30°
ST020-5650	2000 lbs (907 kg)	54" x 48" (1372 x 1220 mm)	36" x 44" (914 x 1118 mm)	56" x 50" (1422 x 1270 mm)	5-7/8" (150 mm)	30°
ST020-5656	2000 lbs (907 kg)	54" x 54" (1372 x 1372 mm)	36" x 44" (914 x 1118 mm)	56" x 56" (1422 x 1422 mm)	5-7/8" (150 mm)	30°
ST020-6244	2000 lbs (907 kg)	60" x 42" (1524 x 1067 mm)	36" x 44" (914 x 1118 mm)	62" x 44" (1575 x 1118 mm)	5-7/8" (150 mm)	30°
ST020-6250	2000 lbs (907 kg)	60" x 48" (1524 x 1220 mm)	36" x 44" (914 x 1118 mm)	62" x 50" (1575 x 1270 mm)	5-7/8" (150 mm)	30°
ST020-6256	2000 lbs (907 kg)	60" x 54" (1524 x 1372 mm)	36" x 44" (914 x 1118 mm)	62" x 56" (1575 x 1422 mm)	5-7/8" (150 mm)	30°



SPECIFICATIONS:

- LAG DOWN: 4X 7/8"
- AIR REQUIREMENTS: 80 psi @ 30 SCFM
- AIR INLET: 1/2" HOSE BARB

NOTE: DIMENSIONS ARE FOR REFERENCE ONLY, TOLERANCE BLOCK DOES NOT APPLY

DISCARD ALL DRAWINGS AND/OR BILL OF MATERIALS ISSUED PRIOR TO

12/24/2014

USE PRINT WITH THE LATEST DATE FOR PRODUCTION

ENGR. APPROVAL _____

UNLESS OTHERWISE SPECIFIED DIMENSIONS ARE IN INCHES TOLERANCES ARE: FRACTIONS: ± 1/16 DECIMALS: .XX ± .03 ANGULAR: ± 1° DO NOT SCALE DRAWINGS	WORK ORDER #	ROUTING			2230 Brush College Rd Decatur, IL 62526 www.alignproductionssystem.com sales@alignprod.com Phone: 217.423.6001	
	DRAWN	JDH			4/30/14	TITLE
TOTAL WT.	SHEET	SIZE	SCALE	DRAWING NO.	REV.	
559.57 lbs	1 OF 1	A	1:20	ST020	--00	

4

3

2

1

4

3

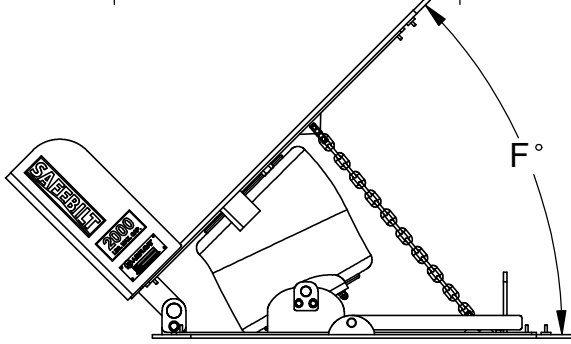
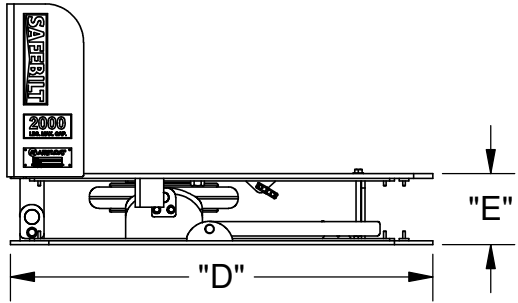
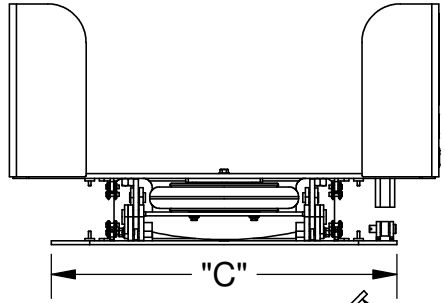
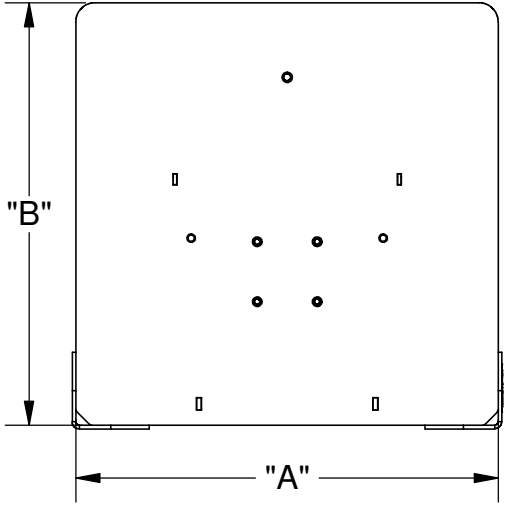
2

1

REVISIONS

ZONE	REV.	DESCRIPTION	DATE	REV. BY
------	------	-------------	------	---------

MODEL NUMBER	TILT CAPACITY	DUNNAGE SIZE	BASE SIZE "C" x "D"	TOP SIZE "A" x "B"	DOWN HEIGHT "E"	TILT ANGLE "F"
ST021-4444	2000 lbs (907 kg)	42" x 42" (1067 x 1067 mm)	36" x 44" (914 x 1118 mm)	44" x 44" (1118 x 1118 mm)	7-3/8" (187 mm)	45°
ST021-4450	2000 lbs (907 kg)	42" x 48" (1067 x 1220 mm)	36" x 44" (914 x 1118 mm)	44" x 50" (1118 x 1270 mm)	7-3/8" (187 mm)	45°
ST021-4456	2000 lbs (907 kg)	42" x 54" (1067 x 1372 mm)	36" x 44" (914 x 1118 mm)	44" x 56" (1118 x 1422 mm)	7-3/8" (187 mm)	45°
ST021-5044	2000 lbs (907 kg)	48" x 42" (1220 x 1067 mm)	36" x 44" (914 x 1118 mm)	50" x 44" (1270 x 1118 mm)	7-3/8" (187 mm)	45°
ST021-5050	2000 lbs (907 kg)	48" x 48" (1220 x 1220 mm)	36" x 44" (914 x 1118 mm)	50" x 50" (1270 x 1270 mm)	7-3/8" (187 mm)	45°
ST021-5056	2000 lbs (907 kg)	48" x 54" (1220 x 1372 mm)	36" x 44" (914 x 1118 mm)	50" x 56" (1270 x 1422 mm)	7-3/8" (187 mm)	45°
ST021-5644	2000 lbs (907 kg)	54" x 42" (1372 x 1067 mm)	36" x 44" (914 x 1118 mm)	56" x 44" (1422 x 1118 mm)	7-3/8" (187 mm)	45°
ST021-5650	2000 lbs (907 kg)	54" x 48" (1372 x 1220 mm)	36" x 44" (914 x 1118 mm)	56" x 50" (1422 x 1270 mm)	7-3/8" (187 mm)	45°
ST021-5656	2000 lbs (907 kg)	54" x 54" (1372 x 1372 mm)	36" x 44" (914 x 1118 mm)	56" x 56" (1422 x 1422 mm)	7-3/8" (187 mm)	45°
ST021-6244	2000 lbs (907 kg)	60" x 42" (1524 x 1067 mm)	36" x 44" (914 x 1118 mm)	62" x 44" (1575 x 1118 mm)	7-3/8" (187 mm)	45°
ST021-6250	2000 lbs (907 kg)	60" x 48" (1524 x 1220 mm)	36" x 44" (914 x 1118 mm)	62" x 50" (1575 x 1270 mm)	7-3/8" (187 mm)	45°
ST021-6256	2000 lbs (907 kg)	60" x 54" (1524 x 1372 mm)	36" x 44" (914 x 1118 mm)	62" x 56" (1575 x 1422 mm)	7-3/8" (187 mm)	45°



SPECIFICATIONS:

- LAG DOWN: 4X 7/8"
- AIR REQUIREMENTS: 80 psi @ 30 SCFM
- AIR INLET: 1/2" HOSE BARB

NOTE: DIMENSIONS ARE FOR REFERENCE ONLY, TOLERANCE BLOCK DOES NOT APPLY

DISCARD ALL DRAWINGS AND/OR BILL OF MATERIALS ISSUED PRIOR TO

12/24/2014

USE PRINT WITH THE LATEST DATE FOR PRODUCTION

ENGR. APPROVAL _____

UNLESS OTHERWISE SPECIFIED DIMENSIONS ARE IN INCHES TOLERANCES ARE:

FRACTIONS: ± 1/16
 DECIMALS: .XX ± .03
 ANGULAR: ± 1°
 DO NOT SCALE DRAWINGS

WORK ORDER #		ROUTING	
		A	
DRAWN	JDH	4/29/14	
THIS DRAWING CONTAINS INFORMATION PROPRIETARY TO ALIGN PRODUCTION SYSTEMS LLC AND SHALL NOT BE DISCLOSED FOR ANY PURPOSE NOR USED FOR MANUFACTURING PURPOSES WITHOUT THE WRITTEN PERMISSION OF ALIGN PRODUCTION SYSTEMS LLC.			
TOTAL WT.	SHEET	SIZE	SCALE
579.97 lbs	1 OF 1	A	1:20

		2230 Brush College Rd Decatur, IL 62526 www.alignproductionssystem.com sales@alignprod.com Phone: 217.423.6001	
TITLE Pneumatic Tilt Table / 2000 lb Capacity / 45 Degree Tilt			
DRAWING NO.	REV.		
ST021	--00		

4

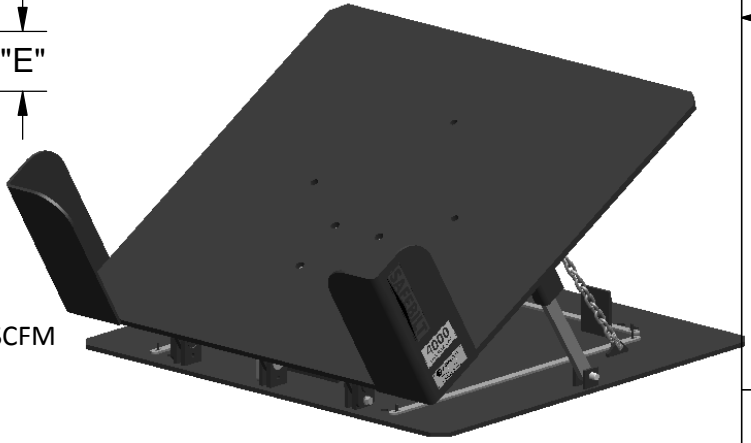
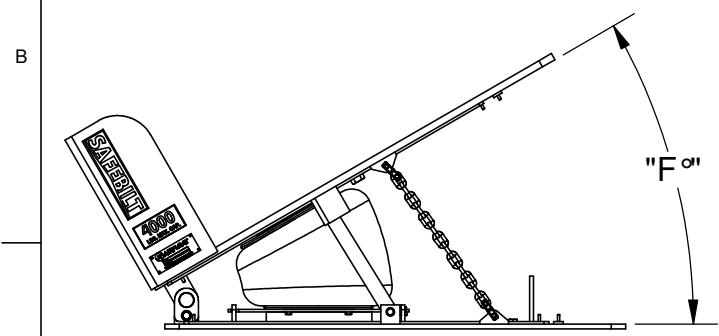
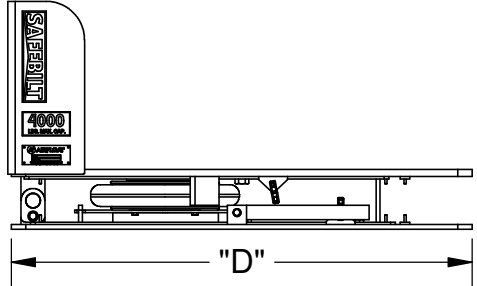
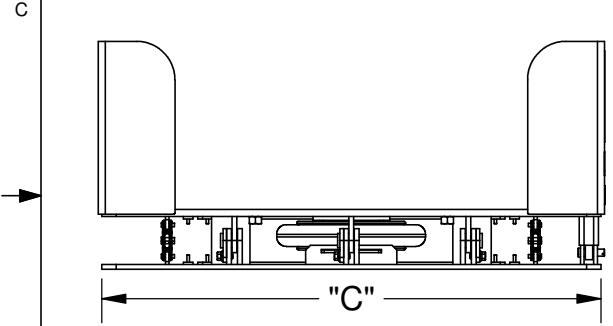
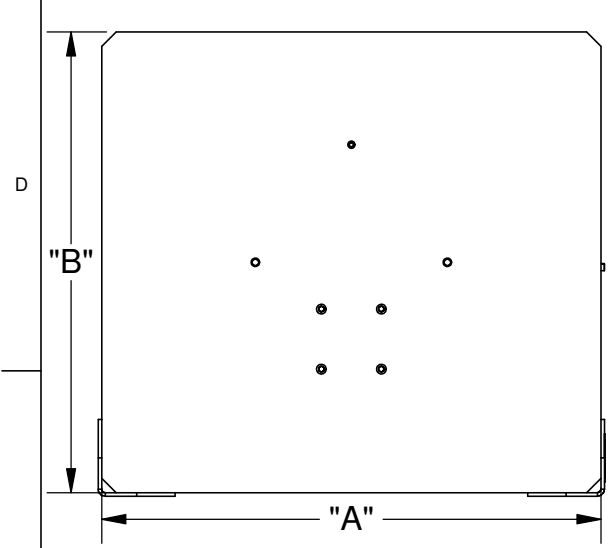
3

2

1

REVISIONS				
ZONE	REV.	DESCRIPTION	DATE	REV. BY

MODEL NUMBER	TILT CAPACITY	DUNNAGE SIZE	BASE SIZE "C" x "D"	TOP SIZE "A" x "B"	DOWN HEIGHT "E"	TILT ANGLE "F"
ST022-4450	4000 lbs (1814 kg)	42" x 48" (1067 x 1220 mm)	42" x 48" (1067 x 1220 mm)	44" x 50" (1118 x 1270 mm)	5-7/8" (149 mm)	30°
ST022-4456	4000 lbs (1814 kg)	42" x 54" (1067 x 1372 mm)	42" x 48" (1067 x 1220 mm)	44" x 56" (1118 x 1422 mm)	5-7/8" (149 mm)	30°
ST022-5050	4000 lbs (1814 kg)	48" x 48" (1220 x 1220 mm)	42" x 48" (1067 x 1220 mm)	50" x 50" (1270 x 1270 mm)	5-7/8" (149 mm)	30°
ST022-5056	4000 lbs (1814 kg)	48" x 54" (1220 x 1372 mm)	42" x 48" (1067 x 1220 mm)	50" x 56" (1270 x 1422 mm)	5-7/8" (149 mm)	30°
ST022-5650	4000 lbs (1814 kg)	54" x 48" (1372 x 1220 mm)	42" x 48" (1067 x 1220 mm)	56" x 50" (1422 x 1270 mm)	5-7/8" (149 mm)	30°
ST022-5656	4000 lbs (1814 kg)	54" x 54" (1372 x 1372 mm)	42" x 48" (1067 x 1220 mm)	56" x 56" (1422 x 1422 mm)	5-7/8" (149 mm)	30°
ST022-6250	4000 lbs (1814 kg)	60" x 48" (1524 x 1220 mm)	42" x 48" (1067 x 1220 mm)	62" x 50" (1575 x 1270 mm)	5-7/8" (149 mm)	30°
ST022-6256	4000 lbs (1814 kg)	60" x 54" (1524 x 1372 mm)	42" x 48" (1067 x 1220 mm)	62" x 56" (1575 x 1422 mm)	5-7/8" (149 mm)	30°



SPECIFICATIONS:

- LAG DOWN: 4X 7/8"
- AIR REQUIREMENTS: 80 psi @ 30 SCFM
- AIR INLET: 1/2" HOSE BARB

NOTE: DIMENSIONS ARE FOR REFERENCE ONLY, TOLERANCE BLOCK DOES NOT APPLY

DISCARD ALL DRAWINGS AND/OR BILL OF MATERIALS ISSUED PRIOR TO

12/24/2014

USE PRINT WITH THE LATEST DATE FOR PRODUCTION

ENGR. APPROVAL _____

UNLESS OTHERWISE SPECIFIED DIMENSIONS ARE IN INCHES TOLERANCES ARE:		WORK ORDER #	ROUTING
FRACTIONS: ± 1/16	DECIMALS: .XX ± .03	DRAWN	A
ANGULAR: ± 1°	.XXX ± .010	JDH	4/30/14
DO NOT SCALE DRAWINGS		THIS DRAWING CONTAINS INFORMATION PROPRIETARY TO ALIGN PRODUCTION SYSTEMS LLC AND SHALL NOT BE DISCLOSED FOR ANY PURPOSE NOR USED FOR MANUFACTURING PURPOSES WITHOUT THE WRITTEN PERMISSION OF ALIGN PRODUCTION SYSTEMS LLC.	
TOTAL WT.	SHEET	SIZE	SCALE
1022.42 lbs	1 OF 1	A	1:20

		2230 Brush College Rd Decatur, IL 62526 www.alignproductionssystem.com sales@alignprod.com Phone: 217.423.6001	
TITLE Pneumatic Tilt Table / 4000 lb Capacity / 30 Degree Tilt			
DRAWING NO.	REV.		
ST022	--00		

4

3

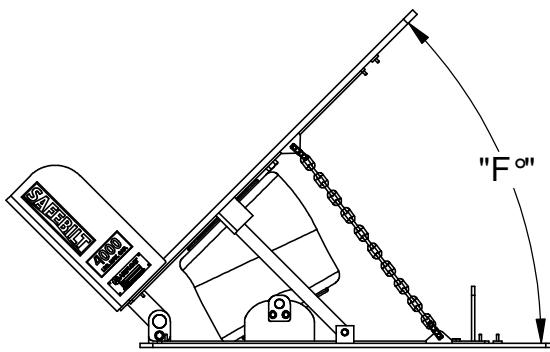
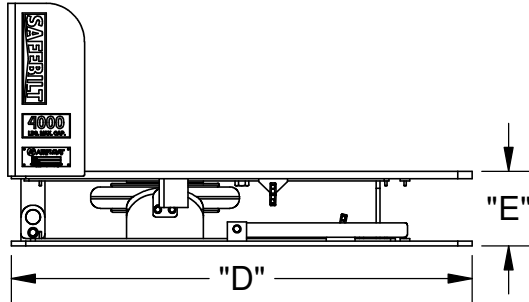
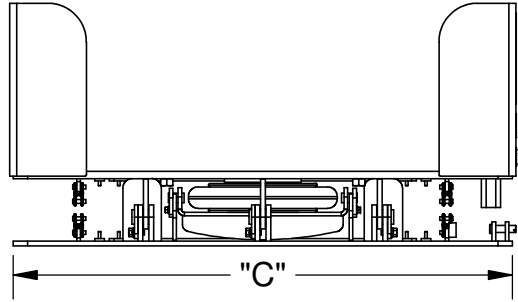
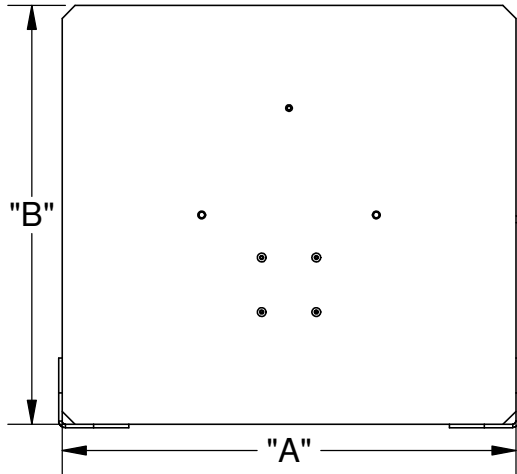
2

1

REVISIONS

ZONE	REV.	DESCRIPTION	DATE	REV. BY
------	------	-------------	------	---------

MODEL NUMBER	TILT CAPACITY	DUNNAGE SIZE	BASE SIZE "C" x "D"	TOP SIZE "A" x "B"	DOWN HEIGHT "E"	TILT ANGLE "F"
ST023-4450	4000 lbs (1814 kg)	42" x 48" (1067 x 1220 mm)	42" x 48" (1067 x 1220 mm)	44" x 50" (1118 x 1270 mm)	7-3/8" (187 mm)	45°
ST023-4456	4000 lbs (1814 kg)	42" x 54" (1067 x 1372 mm)	42" x 48" (1067 x 1220 mm)	44" x 56" (1118 x 1422 mm)	7-3/8" (187 mm)	45°
ST023-5050	4000 lbs (1814 kg)	48" x 48" (1220 x 1220 mm)	42" x 48" (1067 x 1220 mm)	50" x 50" (1270 x 1270 mm)	7-3/8" (187 mm)	45°
ST023-5056	4000 lbs (1814 kg)	48" x 54" (1220 x 1372 mm)	42" x 48" (1067 x 1220 mm)	50" x 56" (1270 x 1422 mm)	7-3/8" (187 mm)	45°
ST023-5650	4000 lbs (1814 kg)	54" x 48" (1372 x 1220 mm)	42" x 48" (1067 x 1220 mm)	56" x 50" (1422 x 1270 mm)	7-3/8" (187 mm)	45°
ST023-5656	4000 lbs (1814 kg)	54" x 54" (1372 x 1372 mm)	42" x 48" (1067 x 1220 mm)	56" x 56" (1422 x 1422 mm)	7-3/8" (187 mm)	45°
ST023-6250	4000 lbs (1814 kg)	60" x 48" (1524 x 1220 mm)	42" x 48" (1067 x 1220 mm)	62" x 50" (1575 x 1270 mm)	7-3/8" (187 mm)	45°
ST023-6256	4000 lbs (1814 kg)	60" x 54" (1524 x 1372 mm)	42" x 48" (1067 x 1220 mm)	62" x 56" (1575 x 1422 mm)	7-3/8" (187 mm)	45°



SPECIFICATIONS:

- LAG DOWN: 4X 7/8"
- AIR REQUIREMENTS: 80 psi @ 30 SCFM
- AIR INLET: 1/2" HOSE BARB

NOTE: DIMENSIONS ARE FOR REFERENCE ONLY, TOLERANCE BLOCK DOES NOT APPLY

DISCARD ALL DRAWINGS AND/OR BILL OF MATERIALS ISSUED PRIOR TO

12/24/2014

USE PRINT WITH THE LATEST DATE FOR PRODUCTION

ENGR. APPROVAL _____

UNLESS OTHERWISE SPECIFIED DIMENSIONS ARE IN INCHES TOLERANCES ARE:		WORK ORDER #	ROUTING
FRACTIONS: ± 1/16	DECIMALS: .XX ± .03	DRAWN JDH	A
ANGULAR: ± 1°	.XXX ± .010	4/30/14	
DO NOT SCALE DRAWINGS		THIS DRAWING CONTAINS INFORMATION PROPRIETARY TO ALIGN PRODUCTION SYSTEMS LLC AND SHALL NOT BE DISCLOSED FOR ANY PURPOSE NOR USED FOR MANUFACTURING PURPOSES WITHOUT THE WRITTEN PERMISSION OF ALIGN PRODUCTION SYSTEMS LLC.	
TOTAL WT. 1042.32 lbs	SHEET 1 OF 1	SIZE A	SCALE 1:20

		2230 Brush College Rd Decatur, IL 62526 www.alignproductionssystem.com sales@alignprod.com Phone: 217.423.6001	
TITLE Pnuematic Tilt Table / 4000 lb Capacity / 45 Degree Tilt			
DRAWING NO. ST023	REV. --00		

4

3

2

1

4

3

2

1

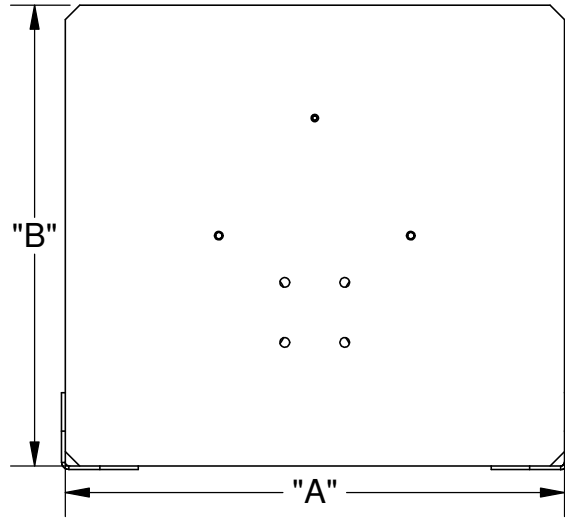
REVISIONS

ZONE	REV.	DESCRIPTION	DATE	REV. BY
------	------	-------------	------	---------

MODEL NUMBER	TILT CAPACITY	DUNNAGE SIZE	BASE SIZE "C" x "D"	TOP SIZE "A" x "B"	DOWN HEIGHT "E"	TILT ANGLE "F"
ST024-5050	6000 lbs (2722 kg)	48" x 48" (1220 x 1220 mm)	48" x 48" (1220 x 1220 mm)	50" x 50" (1270 x 1270 mm)	6-1/8" (156 mm)	30°
ST024-5056	6000 lbs (2722 kg)	48" x 54" (1220 x 1372 mm)	48" x 48" (1220 x 1220 mm)	50" x 56" (1270 x 1422 mm)	6-1/8" (156 mm)	30°
ST024-5650	6000 lbs (2722 kg)	54" x 48" (1372 x 1220 mm)	48" x 48" (1220 x 1220 mm)	56" x 50" (1422 x 1270 mm)	6-1/8" (156 mm)	30°
ST024-5656	6000 lbs (2722 kg)	54" x 54" (1372 x 1372 mm)	48" x 48" (1220 x 1220 mm)	56" x 56" (1422 x 1422 mm)	6-1/8" (156 mm)	30°
ST024-6250	6000 lbs (2722 kg)	60" x 48" (1524 x 1220 mm)	48" x 48" (1220 x 1220 mm)	62" x 50" (1575 x 1270 mm)	6-1/8" (156 mm)	30°
ST024-6256	6000 lbs (2722 kg)	60" x 54" (1524 x 1372 mm)	48" x 48" (1220 x 1220 mm)	62" x 56" (1575 x 1422 mm)	6-1/8" (156 mm)	30°

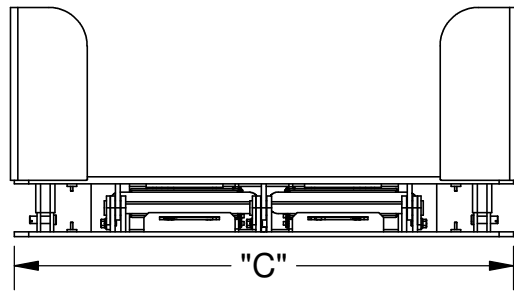
D

D



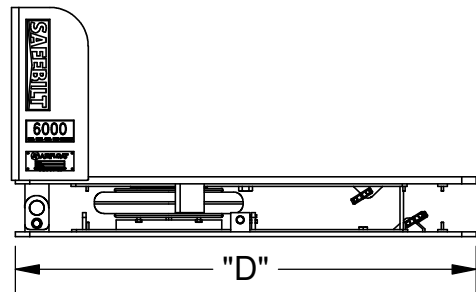
C

C



B

B



A

A

SPECIFICATIONS:

- LAG DOWN: 4X 7/8"
- AIR REQUIREMENTS: 80 psi @ 30 SCFM
- AIR INLET: 2X 1/2" HOSE BARB

NOTE: DIMENSIONS ARE FOR REFERENCE ONLY, TOLERANCE BLOCK DOES NOT APPLY

UNLESS OTHERWISE SPECIFIED DIMENSIONS ARE IN INCHES TOLERANCES ARE:		WORK ORDER #		ROUTING	
FRACTIONS: ± 1/16		DECIMALS: .XX ± .03		A	
ANGULAR: ± 1°		DO NOT SCALE DRAWINGS		DRAWN JDH 4/30/14	
TOTAL WT. 1042.29 lbs		SHEET 1 OF 1		THIS DRAWING CONTAINS INFORMATION PROPRIETARY TO ALIGN PRODUCTION SYSTEMS LLC AND SHALL NOT BE DISCLOSED FOR ANY PURPOSE NOR USED FOR MANUFACTURING PURPOSES WITHOUT THE WRITTEN PERMISSION OF ALIGN PRODUCTION SYSTEMS LLC.	

		2230 Brush College Rd Decatur, IL 62526 www.alignproductionssystem.com sales@alignprod.com Phone: 217.423.6001			
TITLE Pnuematic Tilt Table / 6000 lb Capacity / 30 Degree Tilt					
TOTAL WT.	SHEET	SIZE	SCALE	DRAWING NO.	REV.
1042.29 lbs	1 OF 1	A	1:20	ST024	--00

DISCARD ALL DRAWINGS AND/OR BILL OF MATERIALS ISSUED PRIOR TO

12/24/2014

USE PRINT WITH THE LATEST DATE FOR PRODUCTION

ENGR. APPROVAL _____

4

3

2

1

4

3

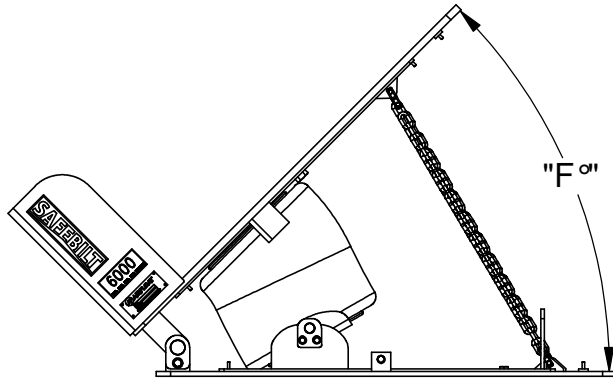
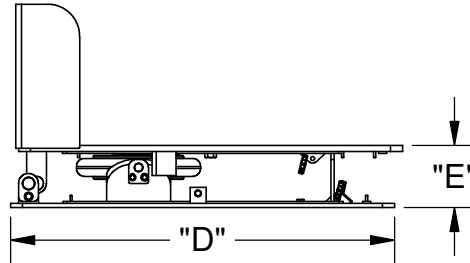
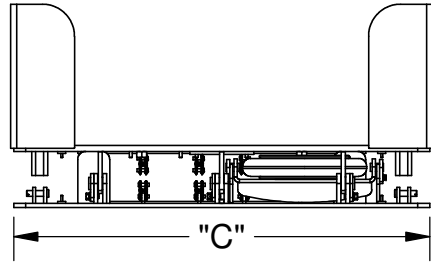
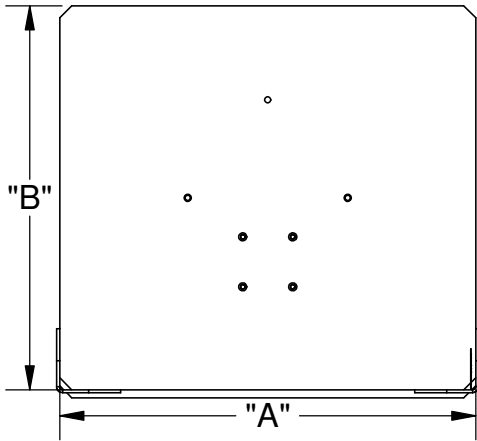
2

1

REVISIONS

ZONE	REV.	DESCRIPTION	DATE	REV. BY
------	------	-------------	------	---------

MODEL NUMBER	TILT CAPACITY	DUNNAGE SIZE	BASE SIZE "C" x "D"	TOP SIZE "A" x "B"	DOWN HEIGHT "E"	TILT ANGLE "F"
ST025-5050	6000 lbs (2722 kg)	48" x 48" (1220 x 1220 mm)	48" x 48" (1220 x 1220 mm)	50" x 50" (1270 x 1270 mm)	7-5/8" (194 mm)	45°
ST025-5056	6000 lbs (2722 kg)	48" x 54" (1220 x 1372 mm)	48" x 48" (1220 x 1220 mm)	50" x 56" (1270 x 1422 mm)	7-5/8" (194 mm)	45°
ST025-5650	6000 lbs (2722 kg)	54" x 48" (1372 x 1220 mm)	48" x 48" (1220 x 1220 mm)	56" x 50" (1422 x 1270 mm)	7-5/8" (194 mm)	45°
ST025-5656	6000 lbs (2722 kg)	54" x 54" (1372 x 1372 mm)	48" x 48" (1220 x 1220 mm)	56" x 56" (1422 x 1422 mm)	7-5/8" (194 mm)	45°
ST025-6250	6000 lbs (2722 kg)	60" x 48" (1524 x 1220 mm)	48" x 48" (1220 x 1220 mm)	62" x 50" (1575 x 1270 mm)	7-5/8" (194 mm)	45°
ST025-6256	6000 lbs (2722 kg)	60" x 54" (1524 x 1372 mm)	48" x 48" (1220 x 1220 mm)	62" x 56" (1575 x 1422 mm)	7-5/8" (194 mm)	45°



SPECIFICATIONS:

- LAG DOWN: 4X 7/8"
- AIR REQUIREMENTS: 80 psi @ 30 SCFM
- AIR INLET: 2X 1/2" HOSE BARB

NOTE: DIMENSIONS ARE FOR REFERENCE ONLY, TOLERANCE BLOCK DOES NOT APPLY

DISCARD ALL DRAWINGS AND/OR BILL OF MATERIALS ISSUED PRIOR TO

12/24/2014

USE PRINT WITH THE LATEST DATE FOR PRODUCTION

ENGR. APPROVAL _____

UNLESS OTHERWISE SPECIFIED DIMENSIONS ARE IN INCHES TOLERANCES ARE:

FRACTIONS: ± 1/16
 DECIMALS: .XX ± .03
 ANGULAR: ± 1°
 DO NOT SCALE DRAWINGS

WORK ORDER #		ROUTING
		A
DRAWN	JDH	4/30/14

THIS DRAWING CONTAINS INFORMATION PROPRIETARY TO ALIGN PRODUCTION SYSTEMS LLC AND SHALL NOT BE DISCLOSED FOR ANY PURPOSE NOR USED FOR MANUFACTURING PURPOSES WITHOUT THE WRITTEN PERMISSION OF ALIGN PRODUCTION SYSTEMS LLC.

TOTAL WT.	SHEET
1039.97 lbs	1 OF 1



2230 Brush College Rd
 Decatur, IL 62526
 www.alignproductionssystem.com
 sales@alignprod.com
 Phone: 217.423.6001

TITLE Pnuematic Tilt Table / 6000 lb Capacity / 45 Degree Tilt

SIZE	SCALE	DRAWING NO.	REV.
A	1:20	ST025	--00

4

3

2

1